

ONEPASS

3RD GENERATION

Product Overview

Rev B 04-27-2016



ONEPASS



NORDCO'S PORTABLE INSPECTION

PRODUCT LINE OVERVIEW

HANDTEST

- Single-channel digital ultrasonic flaw detector
- SiteScan 150 with A-Scan
- 70° & 37.5° Wedge Transducers
- 0° Transducer
- Finger Tip Transducers



MULTIPASS

- Single-channel digital ultrasonic flaw detector with 6" inspection wheel
- SiteScan 150 with A-Scan
- Manual couplant delivery



ONEPASS

- 12 channel HD, battery powered, digital ultrasonic flaw detector
- SmartFlow Couplant delivery
- Onboard Hand Test Kit with wireless digitizer
- Getac F-110 Tough Tablet, Win 7
- Common RailTruck software with A-Scan, B-Scan, Rec Engine & full Audit Capability
- Smart Tracking of GPS locations
- Included Accessories & transportation options



ONEPASS

Leading flaw detection capabilities on the go!

Nordco's innovative, portable solution for manual rail inspection ideal for **yards**, **crossings** and **plug rail** applications.

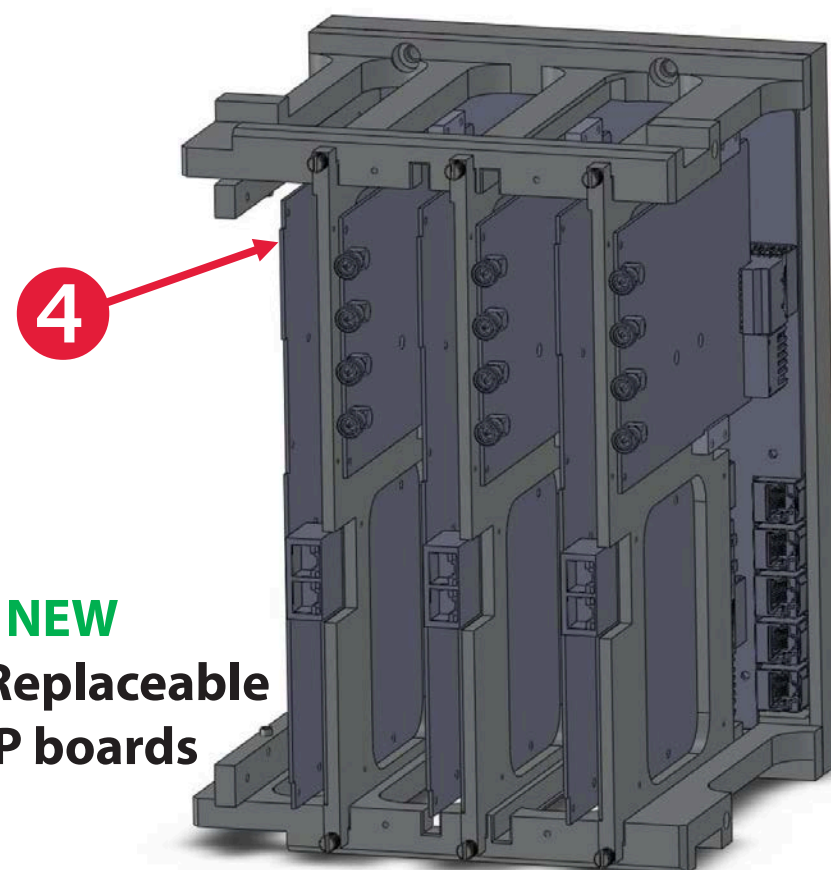
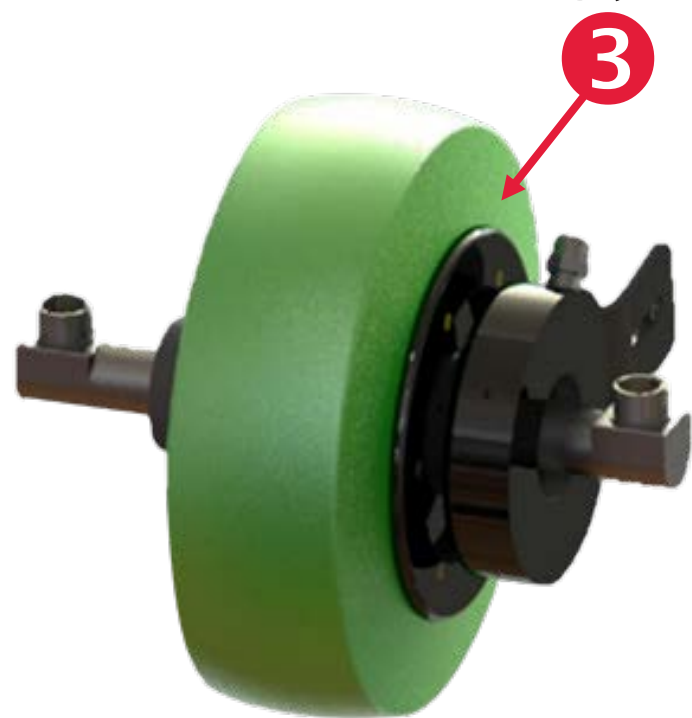
We bundled our latest sensing and processing technologies in a compact rail test unit to bring our leading detection capabilities to manual testing applications.

The ergonomically designed OnePass interrogates rail integrity with eleven transducers and represents defects in a B-Scan view. Defect verification is supported with our integrated hand test kit and on board digitizer.



ADVANCED HD DIGITAL SYSTEM

- 1 Getrac F-1 10 tough tablet with touch screen, integrated GPS, 8GB RAM, 128GB SSD, 4G LTE, WiFi connection to OnePass & Flexible, Quick Mount Holder
- 2 Common RailTruck v7.3 Inspection software runs on Windows 7
- 3 XL 9-11 with direct encoder & quick service mount
- 4 12 Channel Nordco Digital UT processor; technology identical to Rail Truck



COMMON SOFTWARE

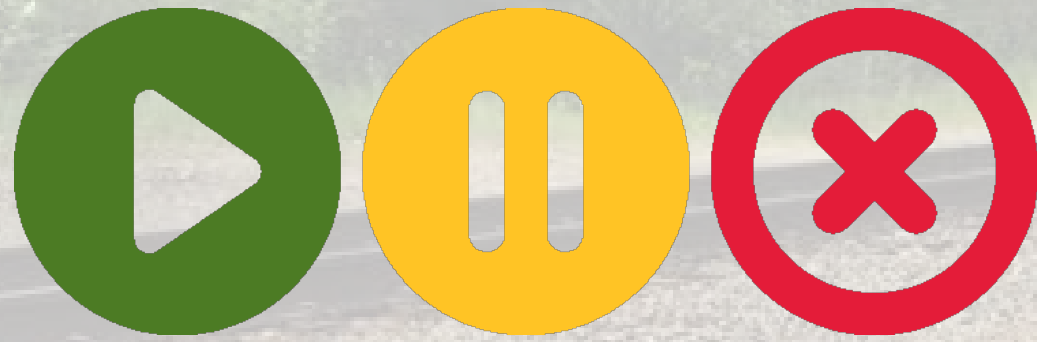
- 1 A-Scan & Digital Scope
- 2 B-Scan with Defect tagging
- 3 Recognition Engine & Context View
- 4 Project & Defect tracking
- 5 Pause Test feature
- 6 SmartFlow Couplant control
- 7 Audio feedback
- 8 Wireless communication
- 9 GPS tracking of OnePass & Defects
- 10 Defect Iconing Toolbar

No extra training needed!
Same software runs on OnePass
and Nordco's Rail Trucks



PAUSE TEST

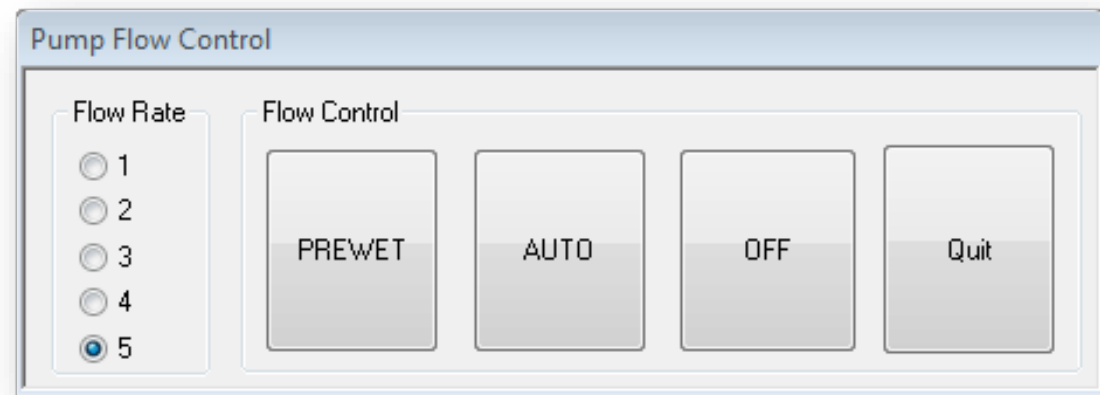
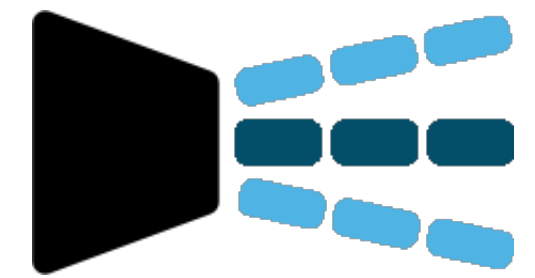
Maintain continuous test files when temporary interruptions are necessary



- 1 Test is in progress
- 2 Train approaches; need to evacuate rail
- 3 Mark current location on rail & press light blue pause test button
- 4 Clear Rail until train passes
- 5 Setup on same location & press play button to continue current test



SMARTFLOW COUPLANT DELIVERY

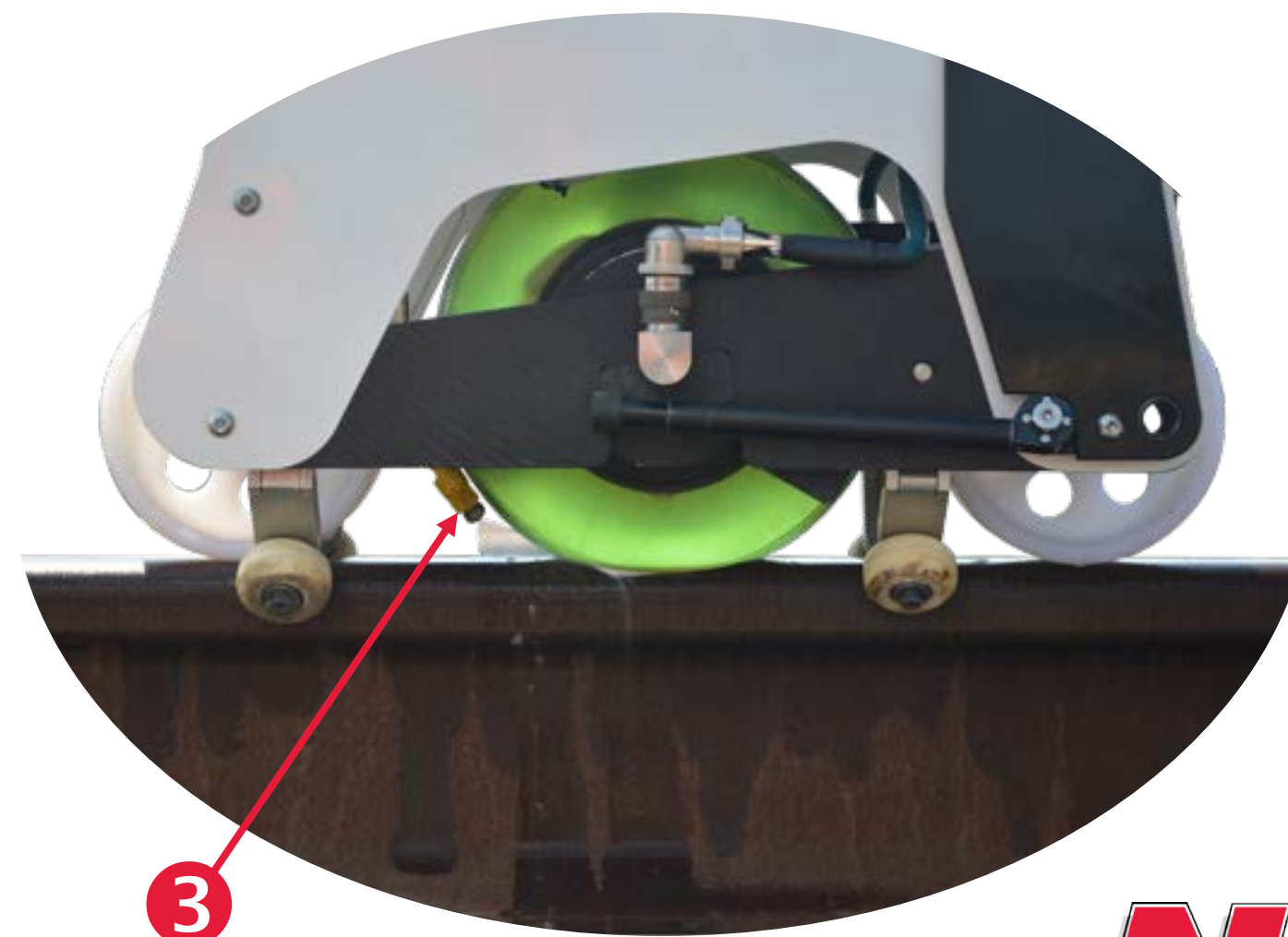


2

- 1 Built in couplant tank capable of holding 5 quarts of liquid
- 2 Software controls when couplant is applied to the wheel and adjusts flow depending on operating and environmental conditions
- 3 Spray nozzle optimizes couplant application on the track



1



3

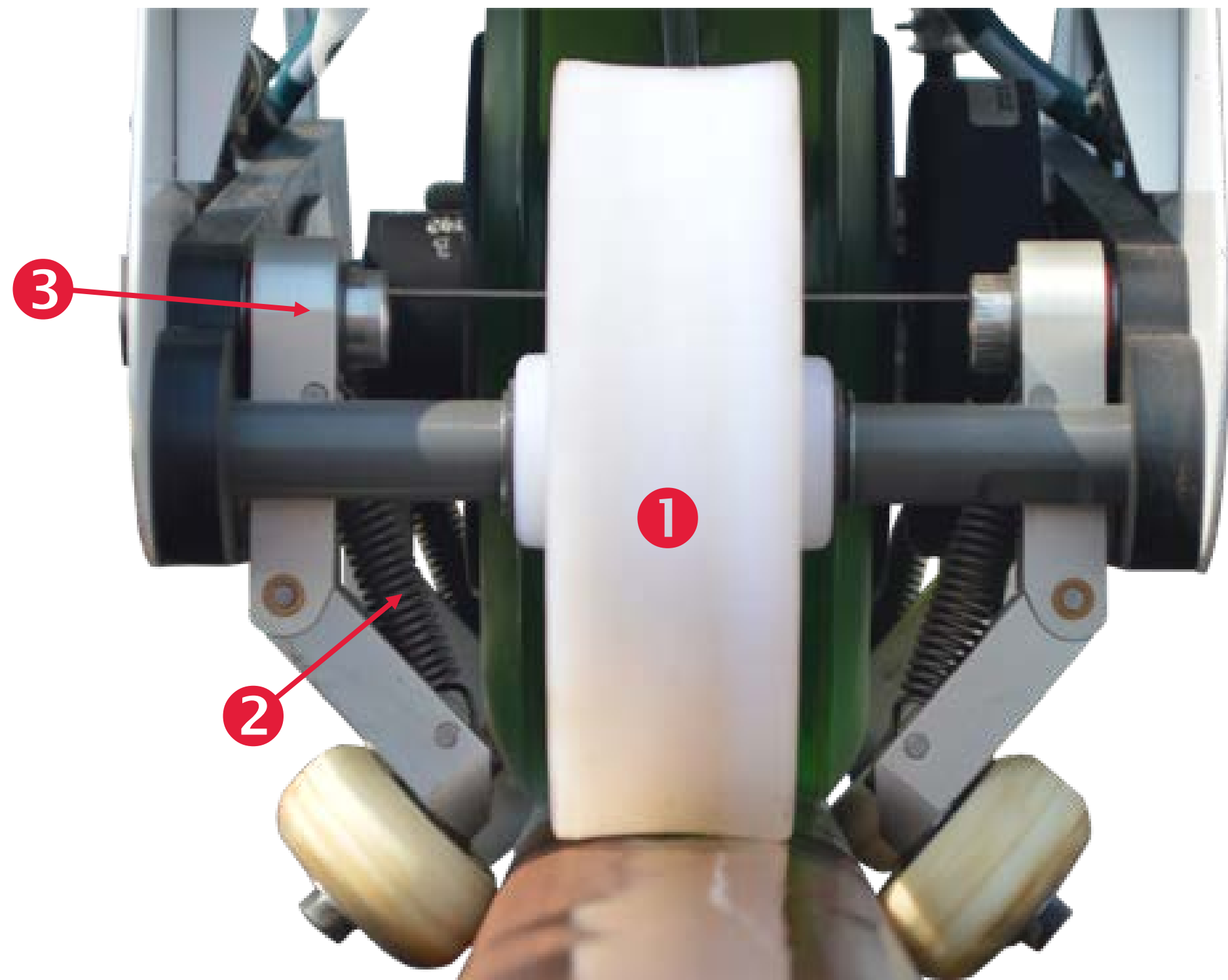
ERGONOMIC

- 1 Detachable side handle mounts left or right for more convenient pushing when walking next to the rail
- 2 Push handle height adjustable via pull lever to accommodate ergonomic pushing for short to tall operators
- 3 Lift Handle in front and under side for unit handling
- 4 Kick stands support unit on ground or on track
- 5 Convenient retract lever disengaging rail capture system



ADAPTIVE RAIL CAPTURING

- 1 Light weight nylon guide wheels
- 2 Laterally spring loaded rail capturing system accommodates all rail weights and wear conditions
- 3 Automatically retracting rail guides for inspecting at switches and crossings



YARD TESTING



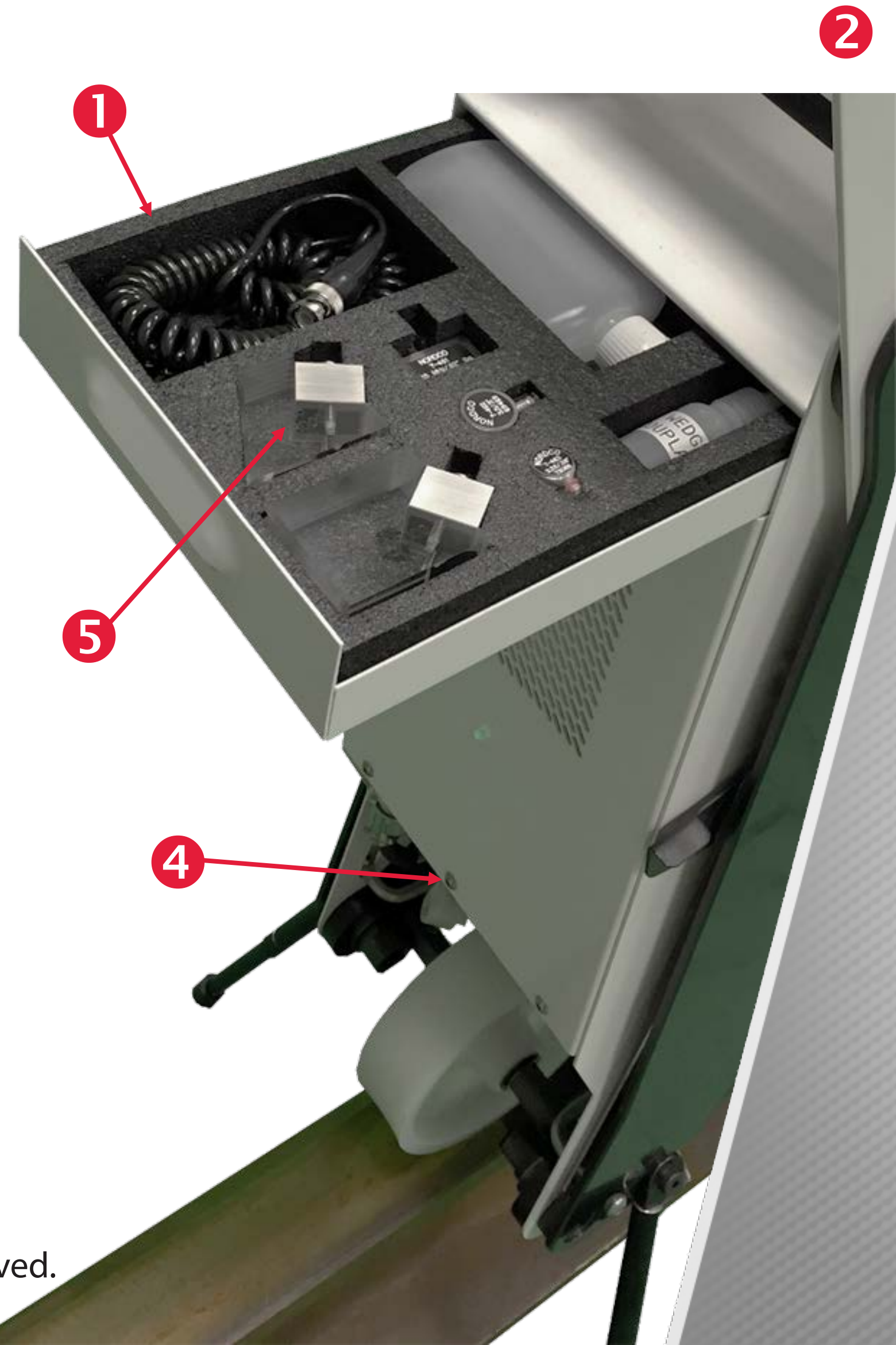
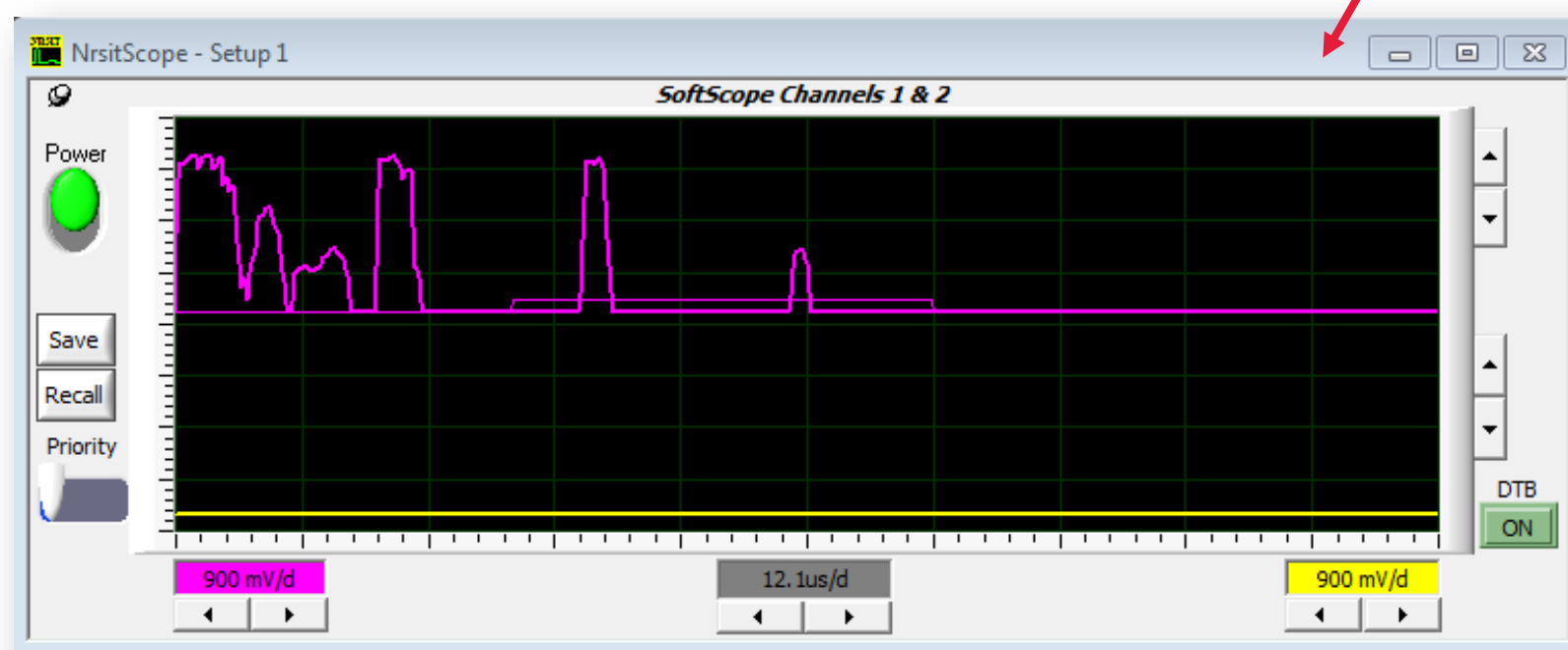
PLUG RAIL TESTING



©2015 Nordco. All rights reserved.

INTEGRATED HAND TEST FEATURE

- 1 Integrated shelf contains hand test transducers & accessories
- 2 Quick Tablet Disconnect
- 3 Digitizer display with gain & gate adjustment
- 4 BNC connector for hand test transducer
- 5 Hand test wedge transducers



HAND TESTING



HAND TEST KIT



- ① 1x 70° Transducer with Wedge
- ② 1x 37.5° Transducer with Wedge
- ③ 1x 0° Transducer
- ④ 1x Finger Tip Transducer BNC
- ⑤ 1x Finger Tip Transducer Micro Dot
- ⑥ 1x MicroDot – BNC Adapter
- ⑦ 1x Coiled BNC-BNC Connection Cable
- ⑧ 1x Wedge Couplant
- ⑨ 1x Couplant Gel
- ⑩ 1x Custom Foam Insert

ACCESSORIES KIT

OnePass Battery Specifications

- Type: Lithium – Manganese (LiMn)
- 24 V, 15 AH
- 49 Lithium Cells – 3.7V 2200mAh
- Up to 1000 Watts
- 800 – 1000 Recharge Cycles
- 6.5" x 5.7" x 3.2" (165 x 145 x 81 mm)
- 4.9 lbs (2.2 kg)

- 1 2x 8.8" Transport Wheels & Axles
- 2 2x Handle Extensions
- 3 1x Hand Test Couplant Holder
- 4 1x Spare Battery OnePass, 24V, 15Ah
- 5 2x Spare Batteries F-110
- 6 1x Dual Bay Battery Charger F-110
- 7 1x Ultra Slim Keyboard with Bracket
- 8 8x Rail Capture Locks (80 – 141 lbs)
- 9 1x Essentials Toolkit
- 10 1x Small Spare Parts



OPTIONAL ACCESSORIES – BATTERIES

Nickel-Metal Hydrate Battery Pack

- Approved for air transportation
- 20% less capacity than standard Ni-Mn



OPTIONAL ACCESSORIES – SMALL CASE

Small Pelican Case with custom foam insert

- holds essential ONEPASS accessories and tools
- ideal for installation in dedicated vehicle
- L x W x D: 24.7" x 19.6" x 11.9" (627 x 498 x 302 mm)
- Fully Loaded: 40 lbs (10 kg)



OPTIONAL ACCESSORIES – OUTRIGGER



Outrigger Attachment

- ideal for long test runs for alignment support
- adjustable for narrow, standard & wide gage
- left and right side attachment
- quick mount
- additional telescoping stand

OPTIONAL ACCESSORIES – SHIELD

Rain / Sun Shield

- Protects touch screen from rain and snow
- Provides shade for better visibility during bright, sunny conditions
- Lightweight construction
- Easy attachment
- Supports quick tablet removal for hand testing

OPTIONAL ACCESSORIES – STAND

ONEPASS Vehicle Stand

- securely supports the ONEPASS in a service vehicle
- quick lock mechanism
- integrated bar for one-person wheel peeking



SHIPPING & TRANSPORTATION

- 1 Large Pelican case with custom foam insert
 - H x W x L: 51.1" x 27.5" x 22.8" (1296 x 699 x 579 mm)
 - Fully loaded: 190 lbs (86 kg)
- 2 Supporting Tools & Equipment
 - 1 gal (3.8 l) of wheel fluid
 - RSU filler pump & Gage
 - OnePass charger (120/220 V)
 - F110 Tablet chargers (12 V & 120/220 V)
 - Power cables and keyboard charger



ALTERNATE SHIPPING OPTIONS

Cardboard Shipping Container

- L x W x D: 24" x 24" x 70" (610 x 610 x 1778 mm)
- Fully Loaded: ~100 lbs (45 kg)

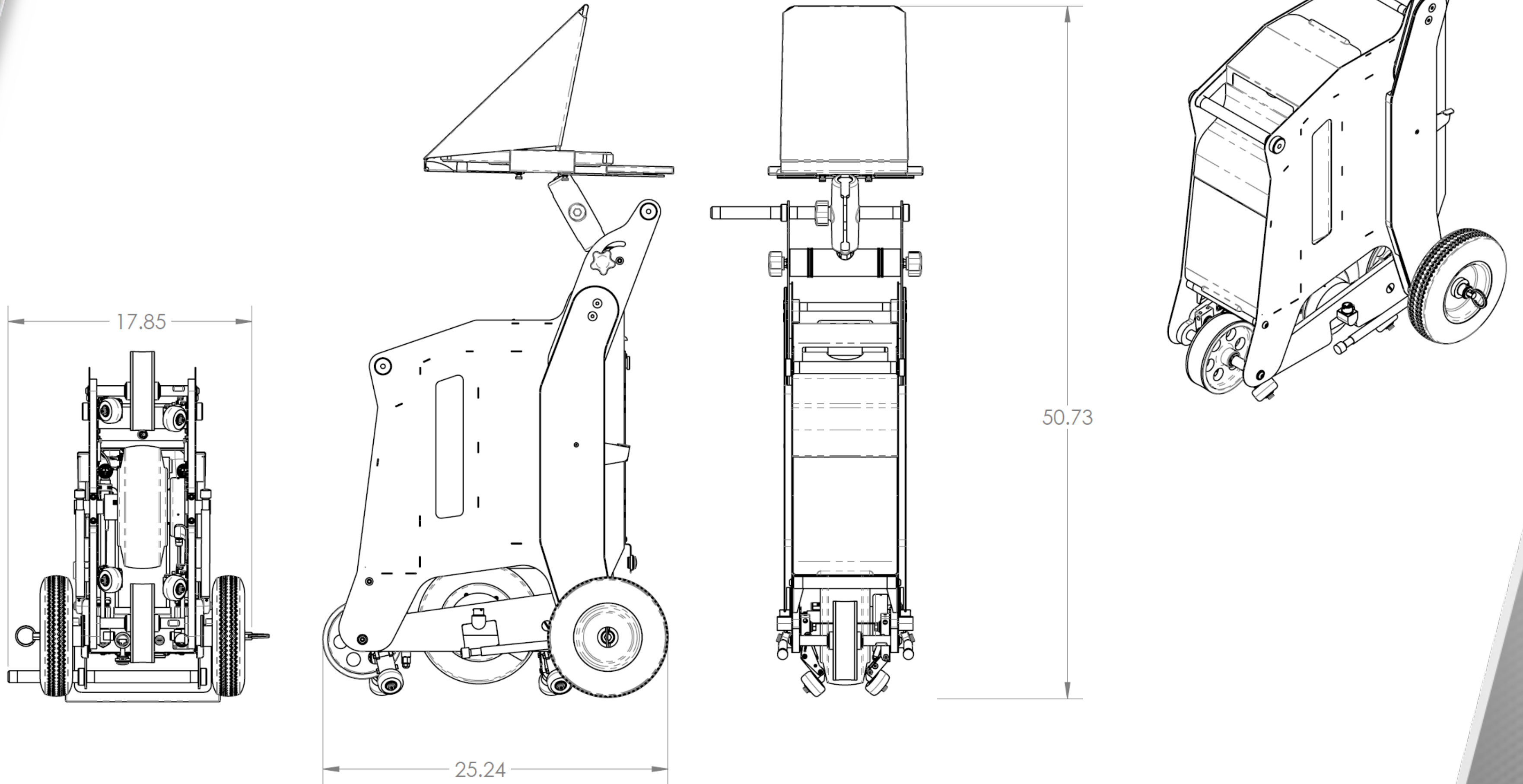


SPECIFICATIONS

Feature	Value
UT Signal Processor	High-Definition, 12 Channel Digital Distance Resolution: 1/48" (0.5 mm)
Detector Technology	XL 9-11 Rolling Search Unit (RSU) Transducers: (2x3) 70°, (2) 45°, (1) 0° + (2) side lookers
Rail Capture	Self-retracting, adaptive roller mechanism
Computer	Getac F-110 Tough Tablet Touch Screen, GPS, 8GB RAM, 128GB SSD, 4G LTE, WiFi
Software	RailTruck v7.x Digitizer, A-scan, B-scan, auditable test record SmartTrack v1.x Asset Tracking & GPS breadcrumbs
Couplant Capacity	5 quarts with SmartFlow Technology
Weight	OnePass: 60 lbs (27.2 kg) - empty tank Tablet & Holder: 6.6 lbs (3 kg)
Operating Conditions	20 to 100 °F (-6 to 38 °C), light rain
Accessories Kit	Included
Onboard Hand Test Kit	Included, 2.2 lbs (1 kg)
All-in-One Transport Case	Included, 190 lbs (86 kg) - fully loaded
Options	Small Tool Case, Cardboard Box, Vehicle bracket



PRODUCT LAYOUT



ONEPASS SERVICE VEHICLE



©2015 Nordco. All rights reserved.