



# Product Support Bulletin 2020-003

245 W. Forest Hill Avenue  
Oak Creek, WI 53154

Contact: Technical Support, Phone: 800-445-9258 or Email: [TechSupport@Nordco.com](mailto:TechSupport@Nordco.com)

## Maintenance of Way ~ Work Equipment Bulletin

**DATE:** July 10, 2020

**SUBJECT:** Alternative Turntable Base Manual Lock-Up Kit

**RATING:**

<input type="checkbox"/> <b>DIRECTIVE</b> (Action is required)	<input type="checkbox"/> <b>ALERT</b> (Potential Problem)
<input checked="" type="checkbox"/> <b>INFORMATION</b> (Action is optional)	<input type="checkbox"/> <b>PRODUCT IMPROVEMENT</b> (Enhance Product)

**MACHINE MODEL(S):** All Super Claws LS, LS-1.0, LS-2.0 and Model D machines. This includes either LH or RH configurations.

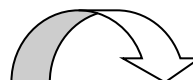
**SERIAL NUMBER(S):** S/N's for LS are 400-499, for LS-1.0 are 500-536, for LS-2.0 are 350537-350599 and for the Model D are 350600 and up.

**SUMMARY:** A new alternative manual lock-up kit for the Turntable Base on the Super Claws is now available as Kit **P/N 98350661**. This new kit provides an alternative method to lock up the turntable base and when installed replaces the original chain and hook mechanism. This alternative lock-up version uses a new base with lugs welded on it that allow a pin to be inserted through the hole in the lug. The pin is inserted and removed from the opposite side of the operator position. See **Fig. 1** for LH machine example. The original hook and chain mechanism will continue to be offered and supported. This alternative method can be used as a matter of preference.

**OPERATIONAL IMPACT:** The new kit allows the Operator to lock and unlock the Turntable Base from one side of the machine or the other, depending on the LH or RH configuration. This new Turntable base it is not interchangeable with the original base, since the original base does not have any lugs welded to it.

**ACTION:** The installation of this kit does require removing the existing Turntable support to weld a new bracket on to it. The kit also requires installing new brackets on the main frame to mount the new lock up linkage that includes the pin, an extended rod and handle. Approximate installation time is 5-6 hours.

**WARRANTY:** None.



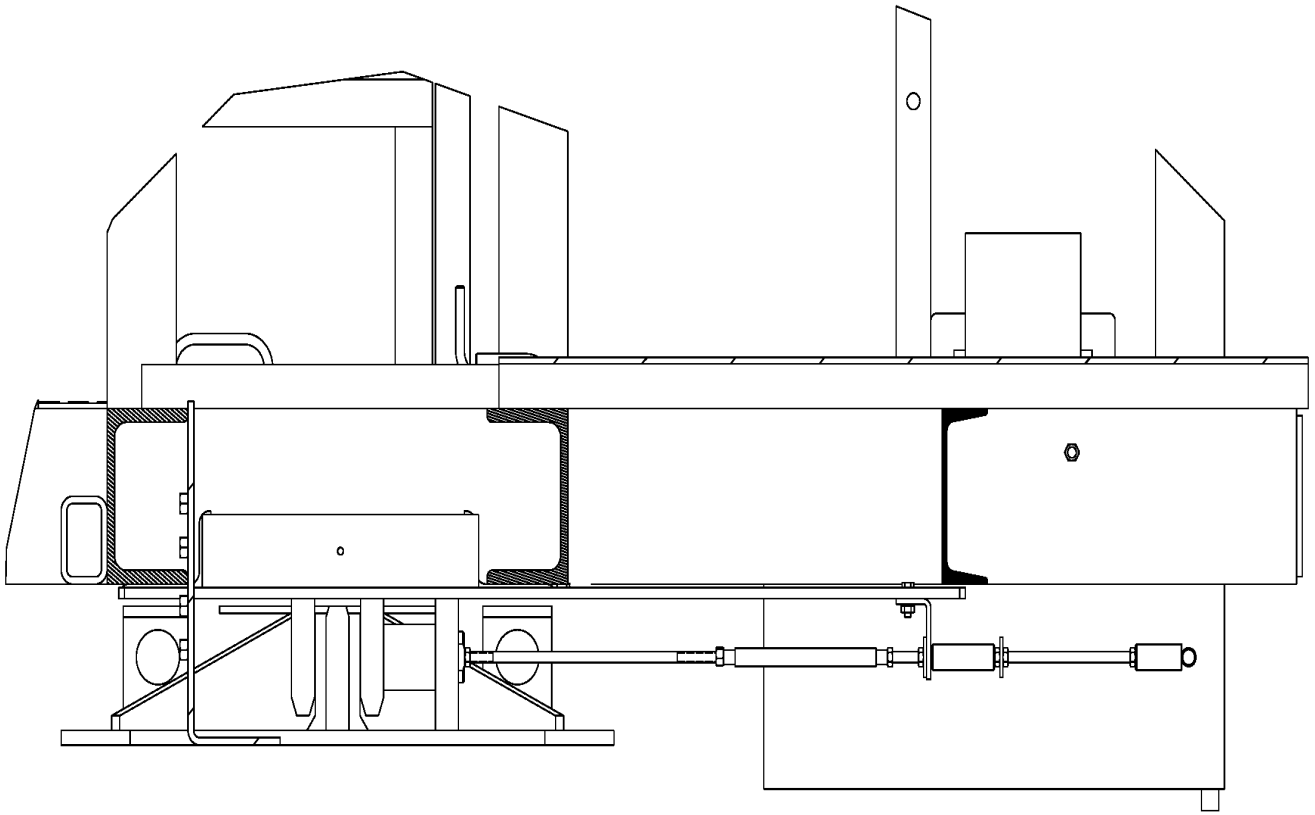


Fig. 1