



# Product Support Bulletin 2005-001

245 W. Forest Hill Avenue  
Oak Creek, WI 53154

Contact: Gary D. Van Deluyster, Service Manager – Phone: 800-445-9258 – Fax: 414-766-2379

## Maintenance of Way ~ Work Equipment Bulletin

**DATE:** April 4, 2005

**SUBJECT:** Improved Toggle Slide Plate - 18225730

**RATING:**

<input type="checkbox"/> <b>DIRECTIVE</b> (Action is required)	<input type="checkbox"/> <b>ALERT</b> (Potential Problem)
<input type="checkbox"/> <b>INFORMATION</b> (Action is optional)	<input checked="" type="checkbox"/> <b>PRODUCT IMPROVEMENT</b> (Enhance Product)

**MACHINE MODEL(S):** Super Claws Spike Puller  
Grabber Spike Puller  
M3 with Spike Pulling Module(s)  
SP2R Spike Puller

**SERIAL NUMBER(S):** Super Claws Spike Puller – Up to and including 350527  
Grabber Spike Puller – Up to and including 330674  
M3 with Spike Pulling Module(s) – Up to and including 450223  
SP2R Spike Puller – Up to and including 310011

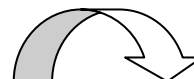
**SUMMARY:** The Pulling Head Toggle Slide Plate has been redesigned to allow easier replacement of the Wear Bars.

**OPERATIONAL IMPACT:** Replacement of the Wear Bars will no longer require removal of the Toggle Slide Plate from the Pulling Head. This will greatly decrease the time required to change the Wear Bars.

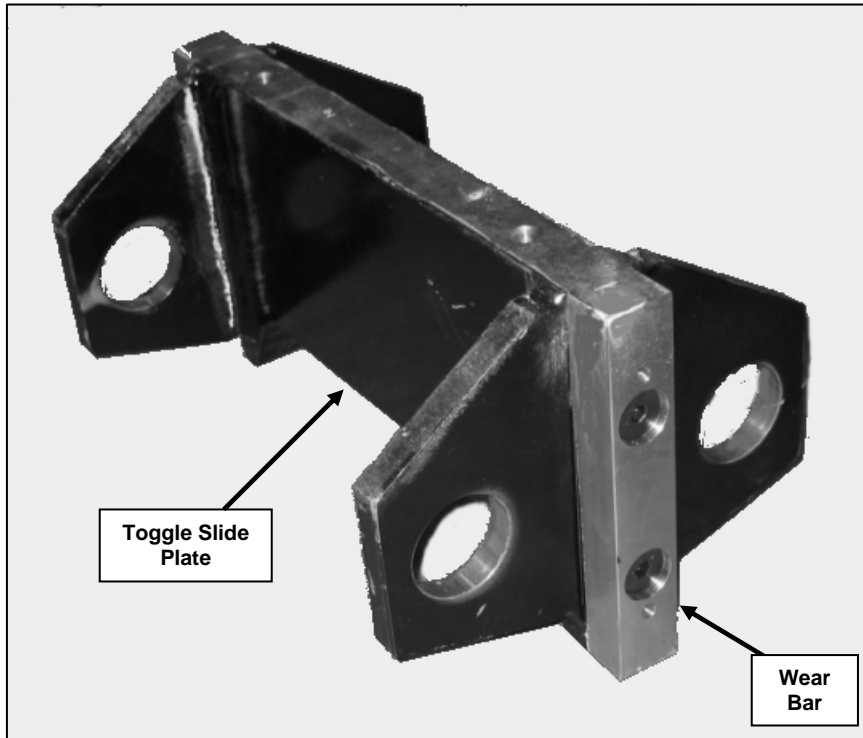
**ACTION:** The redesigned **Toggle Slide Plate (p/n 18225730)** is a direct replacement for the original and includes redesigned **Wear Bars (p/n 71528112)**, mounting hardware and grease fittings. The Wear Bars are removed by removing a capscrew at each end of the Wear Bar and sliding the Wear Bar out of the Pulling Head. The new Wear Bar is then installed and the capscrews are replaced.

The original **Toggle Slide Plate (p/n 18225720)** will not be available after existing inventory is exhausted. The original **Wear Bars (p/n 71528111)** will continue to be available for repairs.

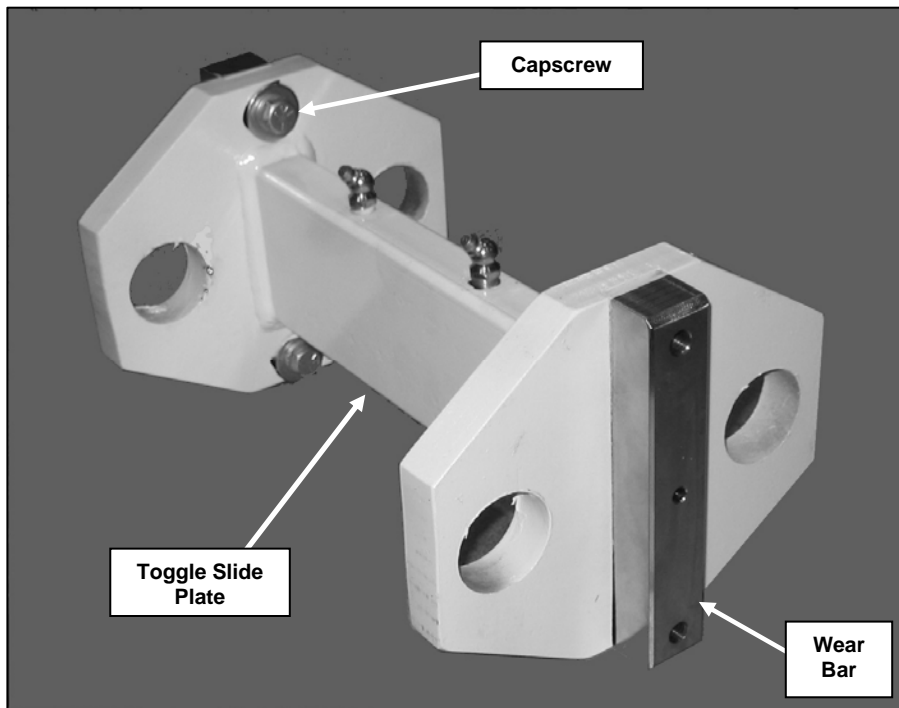
**WARRANTY:** None



NORDCO Product Support Bulletin 2005-001



Original Toggle Slide Plate (p/n 18225720) with Wear Bars (p/n 71528111)



New Toggle Slide Plate (p/n 18225730) with Wear Bars (p/n 71528112)